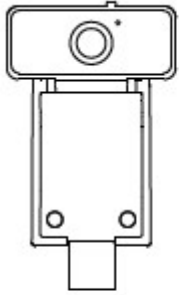


# CAM50

---

## Package Contents



CAM50



Quick Start Guide

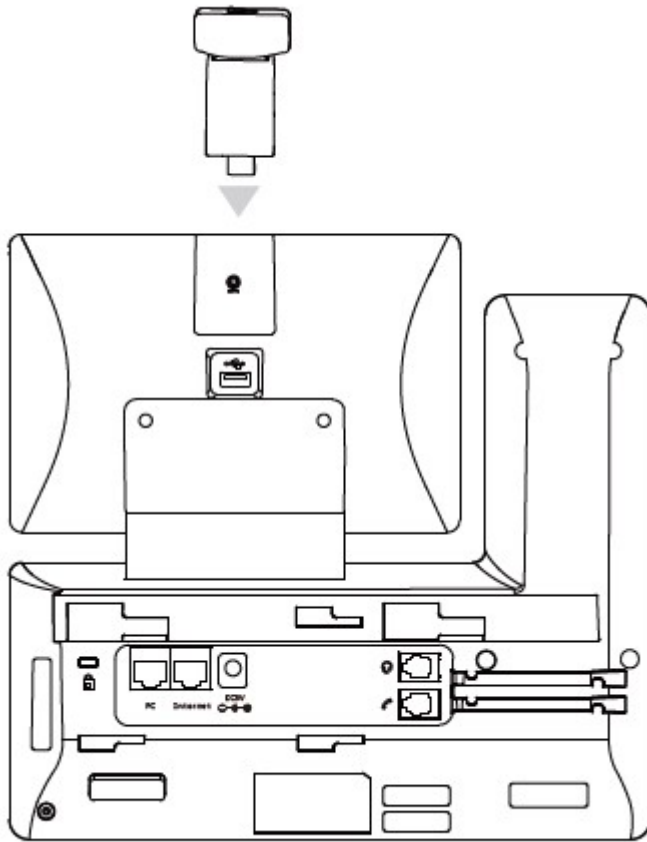
---

## How to Use CAM50

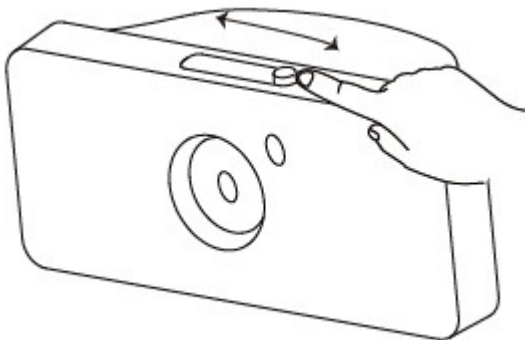
1. Insert CAM50 to the phone.

**💡 TIP**

CAM50 is applicable to SIP-T58W Series/MP58 IP phones.



2. Adjust the shutter switch.



3. Adjust the camera angle.

