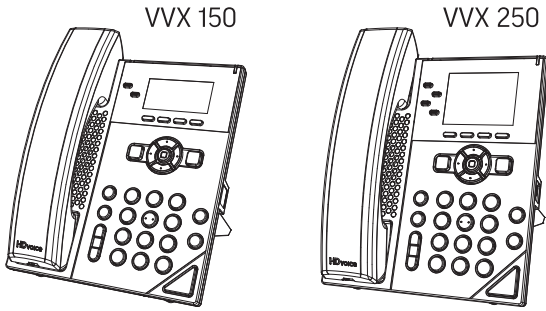
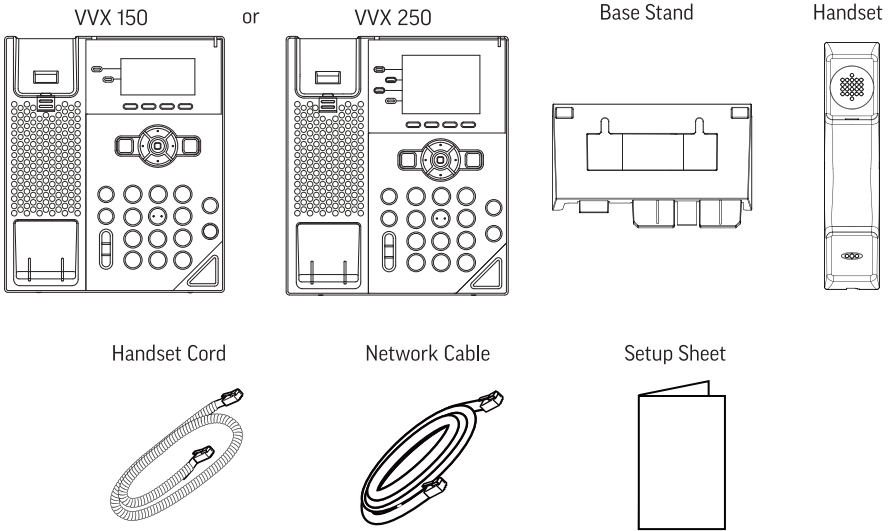


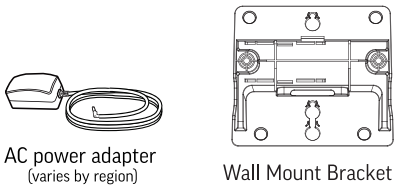
Poly VVX 150 and VVX 250 Business IP Phones



Package Contents

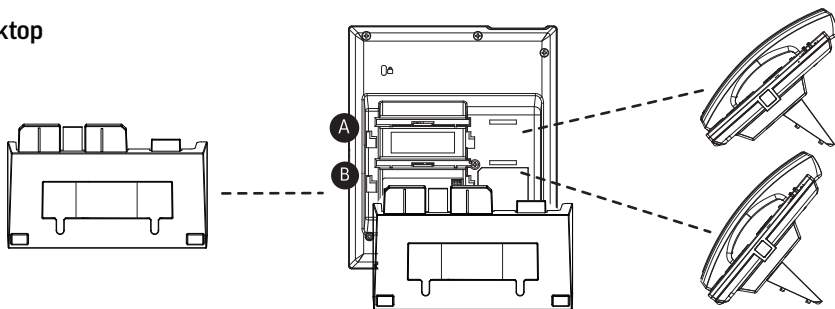


Optional Accessories

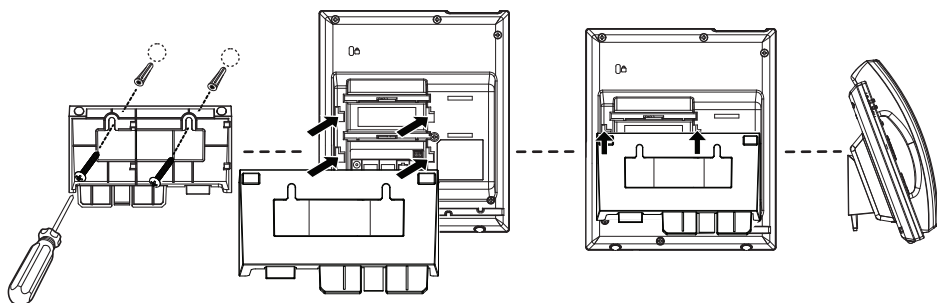


Connect Stand

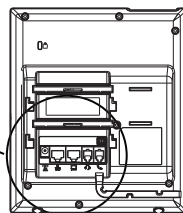
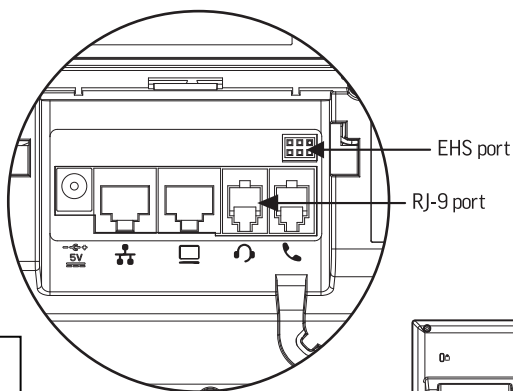
Desktop



Wallmount



Connect Optional Headset



Note: Your phone supports USB and wired headsets, including Electronic Hookswitch (EHS) headsets.

For connection directions, refer to your headset documentation. Standard headsets typically use the RJ-9 or USB port while EHS headsets use the RJ-9 and EHS ports.



BY USING THIS PRODUCT, YOU ARE AGREEING TO THE TERMS OF THE END USER LICENSE AGREEMENT (EULA) AT: <http://documents.polycom.com/indexes/licenses>. IF YOU DO NOT AGREE TO THE TERMS OF THE EULA, DO NOT USE THE PRODUCT, AND YOU MAY RETURN IT IN THE ORIGINAL PACKAGING TO THE SELLER FROM WHOM YOU PURCHASED THE PRODUCT.

The Terms and Conditions applicable to Poly's Limited Warranty for this product are found at <https://support.polycom.com/content/dam/polycom-support/global/service-policies/polycom-product-warranty.pdf>

SAFETY AND REGULATORY INFORMATION.

This device complies with Part 15 of the FCC Rules. Operation is subject to the following two conditions:

(1) This device may not cause harmful interference, and (2) This device must accept any interferences received, including interference that may cause undesired operation.

NOTE: This equipment has been tested and found to comply with the limits for a Class B digital device, pursuant to part 15 of the FCC Rules. These limits are designed to provide reasonable protection against harmful interference in a residential installation. This equipment generates, uses and can radiate radio frequency energy and, if not installed and used in accordance with the instructions, may cause harmful interference to radio communications. However, there is no guarantee that interference will not occur in a particular installation. If this equipment does cause harmful interference to radio or television reception, which can be determined by turning the equipment off and on, the user is encouraged to try to correct the interference by one or more of the following measures:

- Reorient or relocate the receiving antenna.
- Increase the separation between the equipment and receiver.
- Connect the equipment into an outlet on a circuit different from that to which the receiver is connected.

Consult the dealer or an experienced radio/TV technician for help.

Responsible Party issuing FCC Supplier's Declaration of Conformity
Polycom, Inc.

6001 America Center Drive
San Jose, CA 95002 USA
TypeApproval@poly.com

In accordance with Part 15 of the FCC Rules, the user is cautioned that any changes or modifications not expressly approved by Polycom, Inc. could void the user's authority to operate the equipment.

The VVX 150 and VVX 250 are marked with the CE mark. This mark indicates compliance with LVD and EMC Directives 2014/35/EC and 2014/30/EC. A full copy of the Declaration of Conformity can be obtained from www.poly.com/conformity.

UKCA

UK representative: Plantronics Ltd, Building 4, Foundation Park, Cannon Lane, Part 1st Floor, Maidenhead, SL6 3UD

Regulatory Notice:

<https://support.polycom.com/content/dam/polycom-support/products/voice/business-ip-phones/other-documents/en/vvx-ip-reg-notice.pdf>

Operating Ambient Conditions:

- Operating temperature: +32 to 104°F (0 to 40°C)
- Relative humidity: 5% to 95%, non-condensing
- Storage temperature: -40 to +160°F (-40 to +70°C)

Installation must be performed in accordance with all relevant national wiring rules.

L'installation doit être exécutée conformément à tous les règlements nationaux applicables au filage électrique.

The outlet to which this apparatus is connected must be installed near the equipment and must always be readily accessible.

La prise électrique à laquelle l'appareil est branché doit être installée près de l'équipement et doit toujours être facilement accessible.

When using Power over Ethernet (PoE), the equipment is to be connected only to PoE networks without connections to the outside plant.

Lorsque vous utilisez une alimentation électrique par câble ethernet (PoE - Power over Ethernet), l'équipement doit être connecté uniquement aux réseaux PoE sans connexions vers l'extérieur de l'usine. Cet This Class [B] digital apparatus complies with Canadian ICES-003. Cet

appareil numérique de la classe [B] sera conforme à la norme NMB-003 du Canada.

To avoid electric shock, do not connect safety extra low voltage (SELV) circuits to teleconference station network (TNV) circuits. LAN ports contain SELV circuit, and WAN ports contain TNV circuits. Some LAN and WAN ports both use RJ-45 connectors. Use caution when connecting cables. This product is rated 5Vdc, 3A. When used with the optional external power supply (MSP-C3000IC5.0-18A-US, MSA-C3000IC5.0-18P, or similar rated PSU), the power supply shall be a Listed power supply with a LPS output, rated 5V, min. 3A.

Afin d'éviter les chocs électriques, ne pas connecter de circuits de tension extra-basse de sécurité (SELV) à des circuits de réseau de stations de téléconférence (TNV). Les ports LAN contiennent un circuit SELV et les ports WAN contiennent des circuits TNV. Certains ports LAN et WAN utilisent tous deux des connecteurs RJ-45. Faites preuve de prudence lors de la connexion des câbles. Ce produit a les caractéristiques suivantes : 5 Vdc, 3 A. Lorsqu'il est utilisé avec le bloc d'alimentation externe facultatif, (MSP-C3000IC5.0-18A-US, MSA-C3000IC5.0-18P, ou une alimentation semblable), l'alimentation électrique doit être répertoriée et munie d'une sortie LPS, possédant les caractéristiques suivantes : 5 V, 3 A min.

In addition, all PoE sources must meet the Limited Power Source requirements of IEC 60950-1:2005 (2nd Edition); Am1:2009 or IEC 60950-1:2005 (2nd Edition); Am1:2009; Am2:2013.

En outre, toutes les sources PoE doivent satisfaire aux exigences de source d'alimentation limitée de la IEC 60950-1:2005 (2ème édition); Am1:2009 ou IEC 60950-1:2005 (2ème édition); Am1:2009; Am2:2013.

Hearing Aid Compatibility (HAC):

This device is hearing aid compatible.

US:2HWIPNANVVX150.

US:2HWIPNANVVX250.

This product meets the applicable Innovation, Science and Economic Development Canada technical specifications.

EU WEEE - End of Life products:

Poly encourages you to recycle your end-of-life Poly products in an environmentally considerate way. In accordance with the requirements of the European Waste Electronic and Electrical Equipment (WEEE) Directive, all Poly products are marked with the crossed wheelee bin symbol shown below. Products that carry this symbol should be not be disposed of in the household or general waste stream. Detail of the options open to you and the guidance on the requirements for the recycling and environmentally considerate disposal of your end of life Poly products can be found at <http://www.polycom.com/WEEE>.

RoHS: All Poly phones comply with the requirements of the EU RoHS Directive. Statements of compliance can be obtained from TypeApproval@poly.com

Australia:

Warning—This equipment will be inoperable when mains power fails.

Japan:

<p>この装置は、クラスB機器です。この装置は、住宅環境で使用することを目的としていますが、この装置がラジオやテレビジョン受信機に近接して使用されると、受信障害を引き起こすことがあります。 取扱説明書に従って正しい取り扱いをして下さい。</p>	<p>VCCI — B</p>
--	-----------------

ENERGY STAR®:



Backlight intensity and timeout can be adjusted in basic user settings menu. By default, after the phone is idle for 40 seconds, the backlight dims. The backlight automatically turns on with any phone activity.

GETTING HELP:

For more information about installing, configuring and administering Poly products or services, go to Poly Support: support.polycom.com

Plantronics, Inc. (Poly - formerly Plantronics and Polycom)
345 Encinal Street
Santa Cruz, California
95060

© 2021 Plantronics, Inc. All right reserved. Poly and the propeller design are trademarks of Plantronics, Inc. All other trademarks are the property of their respective owners.

1725-48815-002C

