



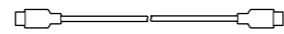
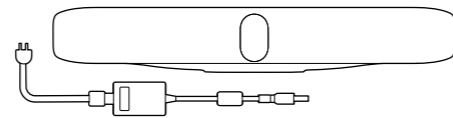
QUICK START

**POLY STUDIO X70
WITH WALL MOUNT**



poly.com/support/studio-x70

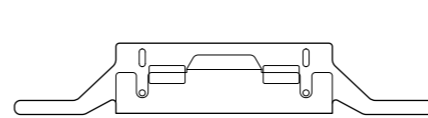
CONTENTS



(2) HDMI 1.83 m (6 ft)

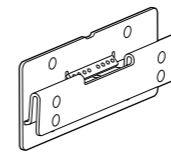


LAN 4.57 m (15 ft)

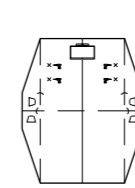


(4) #8 × 7/8"
Plastic Anchor

(4) #8 × 1"
Screw



(4) M4 × 8
Screw



Template



poly.com/support/studio-x70



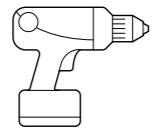
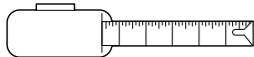
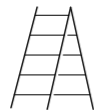
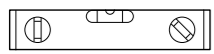
Recyclable where facilities exist

© 2023 Poly. All trademarks are the property of their respective owners.

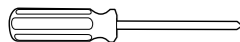


1725-87373-001E 04.23
RMN: P026; P026NR

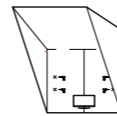
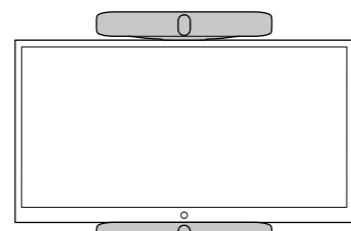
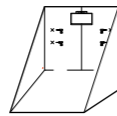
TOOLS



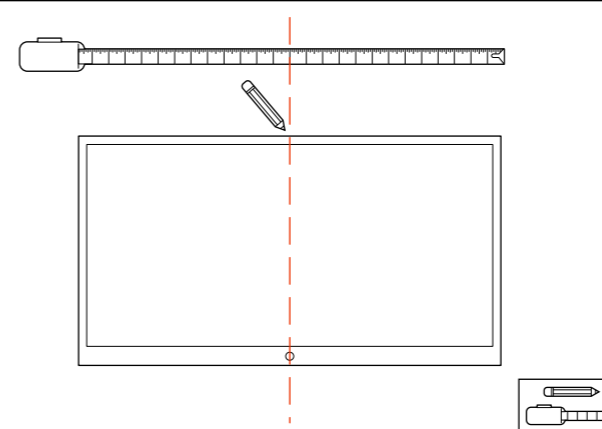
6 mm



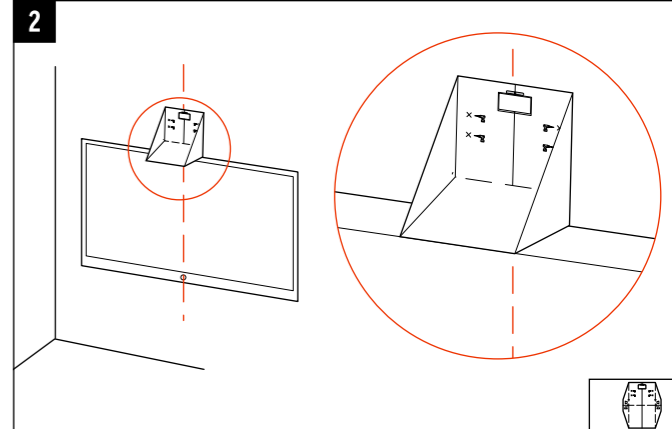
MOUNTING OPTIONS



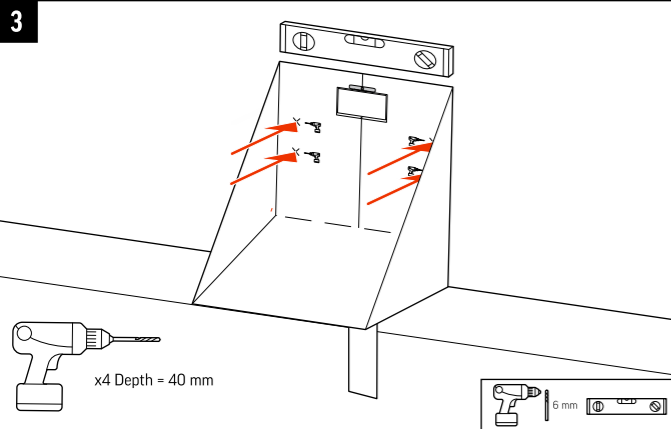
1



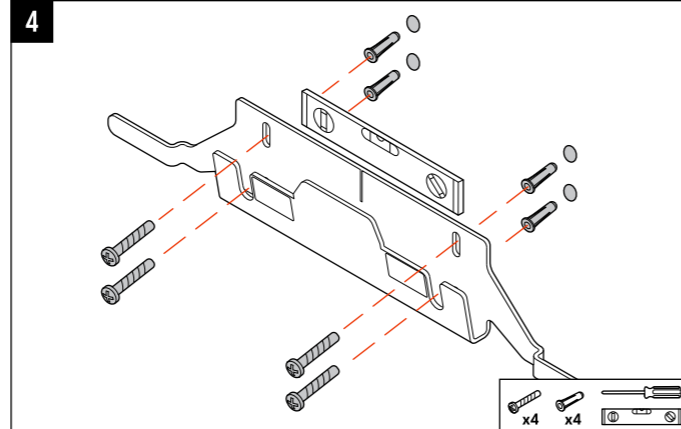
2



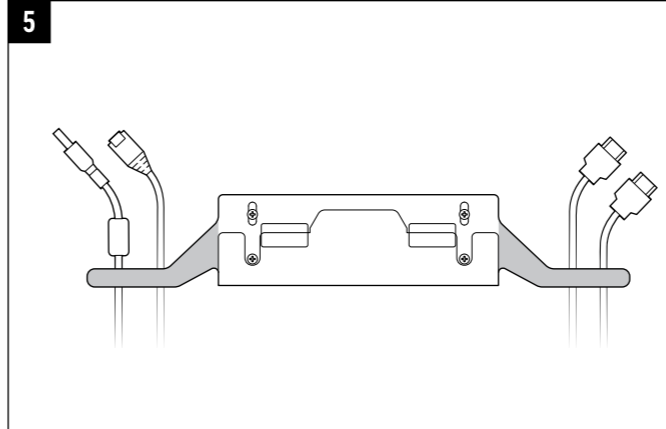
3



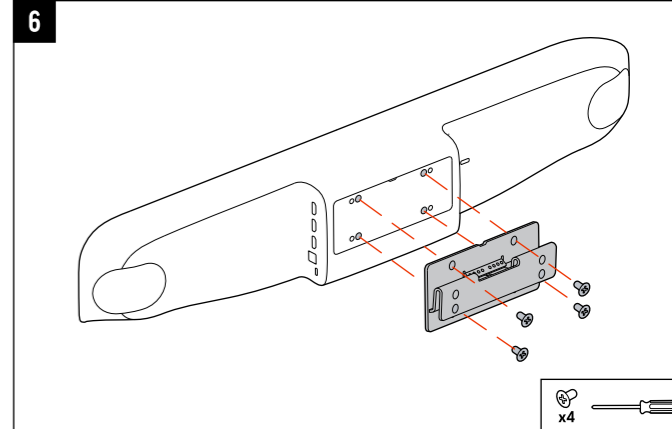
4



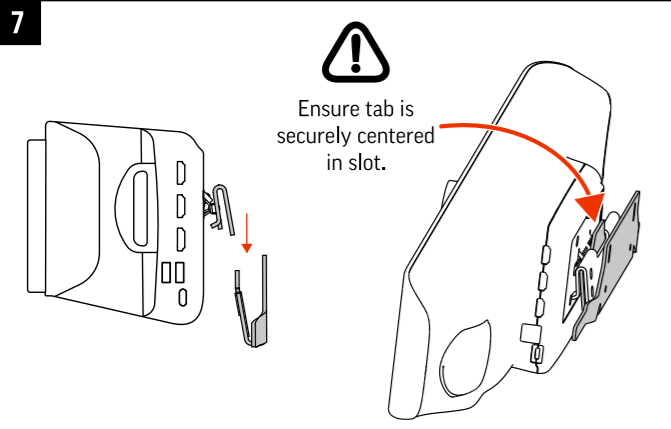
5



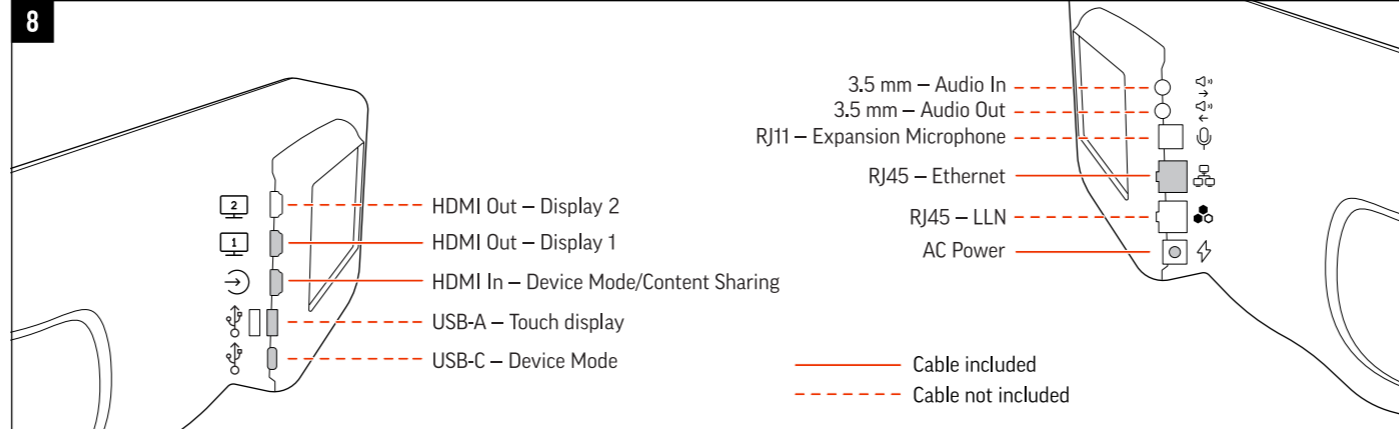
6



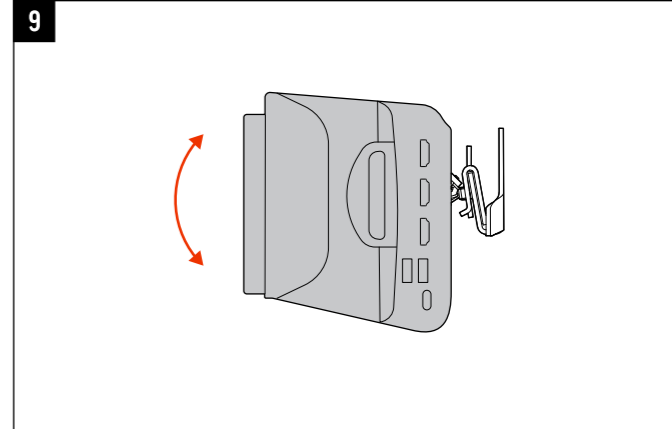
7



8



9

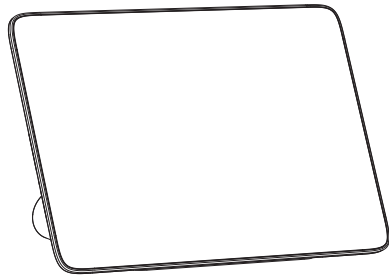




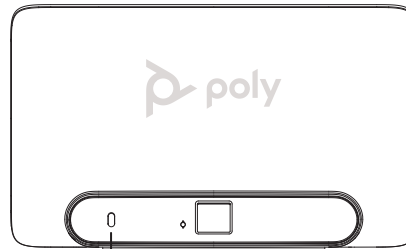
Poly TC8

See the Poly TC8 Regulatory Notices guide for all regulatory and safety guidance prior to configuration.

Avant de procéder à la configuration, veuillez consulter les Avis de réglementation du Poly TC8, afin de prendre connaissance des recommandations en matière de sécurité et de réglementation.



LAN
3.66 m (12 ft)



PoE | PoE+



1725-86454-001A
TC8 Model P020

Optional Setup

Installation de l'équipement optionnel

Instalación del equipo optativo

Instalação do equipamento opcional

Einrichten der optionalen Ausrüstung

Installazione delle apparecchiature opzionali

Valgrítt oppsett

Kiegészítő beállítások

Konfiguracja opcjonalna

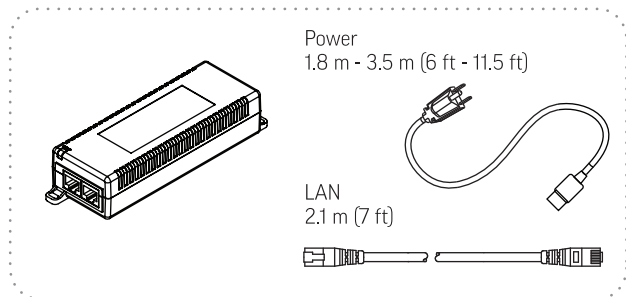
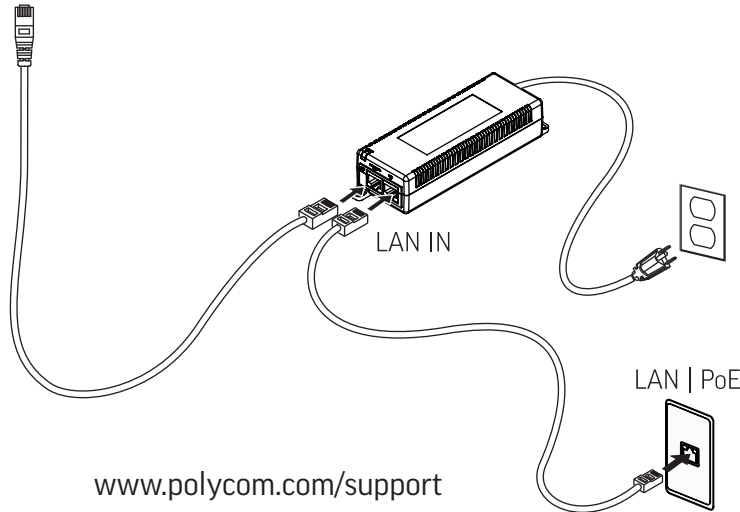
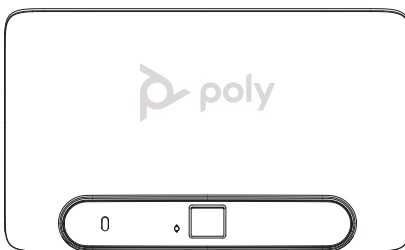
Дополнительная настройка

オプション設定

选择设置

選擇設定

선택 설정



www.polycom.com/support

