



# QUICK START

**POLY EDGE E400 SERIES**

**E400, E450 DESK STAND**



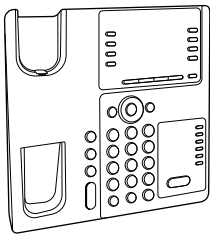
[poly.com/setup/edge-e](http://poly.com/setup/edge-e)

## MANAGEMENT SOFTWARE

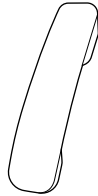
# POLY LENS

[poly.com/lens](http://poly.com/lens)

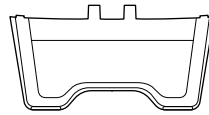
## CONTENTS



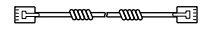
Poly Edge E400 Series



Handset



Stand



Handset Cord

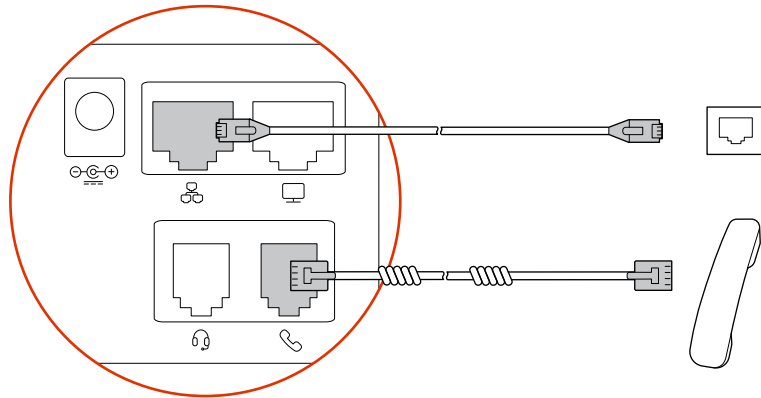
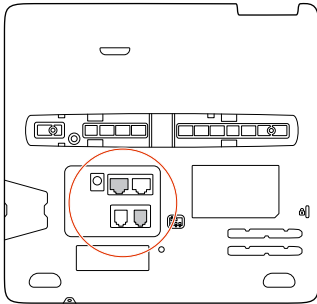


Ethernet Network Cable 1.5 m (5 ft)

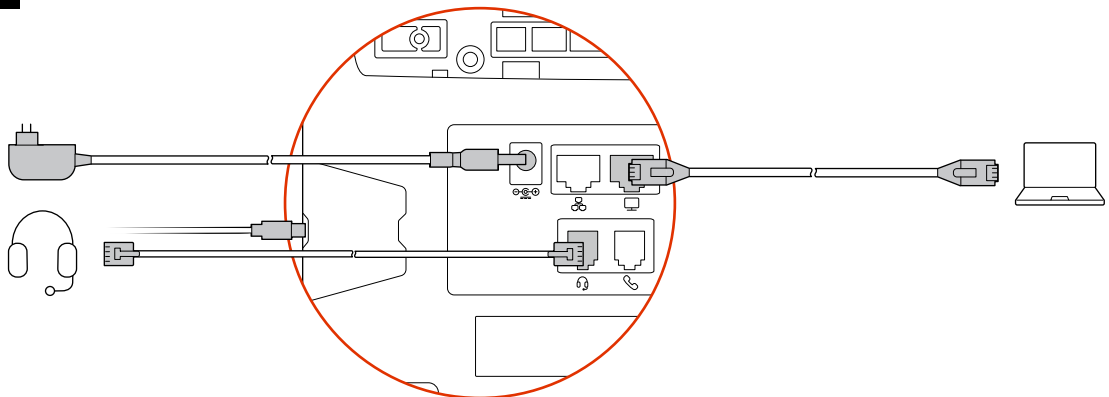


AC Power Adapter (Optional)

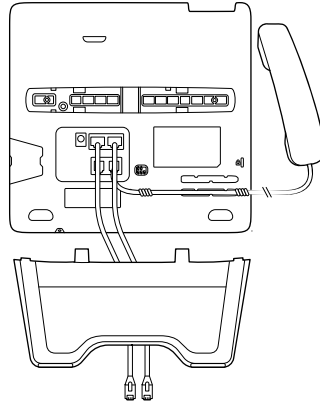
## REQUIRED CABLING



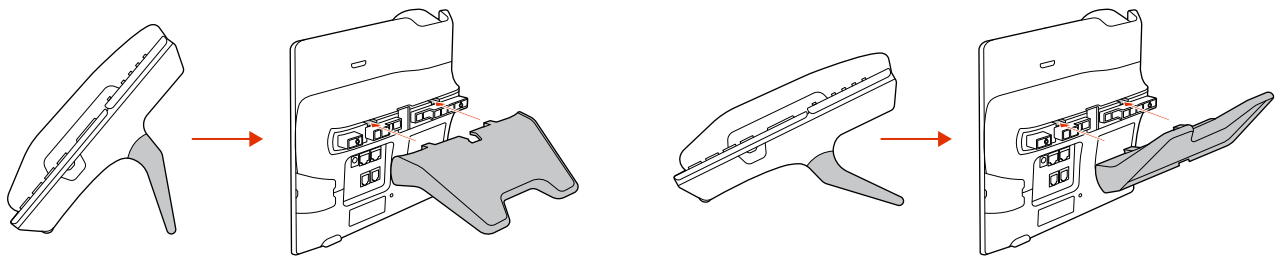
## OPTIONAL CABLING



## CABLE ROUTING



## DESK STAND



 [poly.com/setup/edge-e](https://poly.com/setup/edge-e)

© 2022 Poly. All trademarks are the property of their respective owners.

 Recyclable where facilities exist

3725-47497-001A 08.22